



# **Yard Master Pro Series**

## **150"/180" Models**

### **Indoor/Outdoor Portable Projection Screen**

#### **User's Guide**

Thank you for choosing the *Yard Master Pro* portable projection screen! Please read through this user guide before utilizing the screen. Correct usage and maintenance will ensure a long product life

For a visual demonstration of the assembly and disassembly for the Yard Master Pro (150"/180" Models), please view our video at:

[http://www.elitescreens.com/ympro150-180\\_assembly](http://www.elitescreens.com/ympro150-180_assembly)

OR scan the QR Code provided:



#### **Care & Use Instructions**











- ◆ Elite highly recommends two people to assemble the Yard Master Pro screen.
- ◆ Please be sure to distinguish between the front and back of the screen fabric when setting up the projection screen. CineWhite® UHD (front projection) and Wraith Veil (rear projection) are both labeled front, back.
- ◆ Dust, dirt and scratches on the projection surface will affect the picture quality, please take note of the points below to prevent that from occurring:
  1. Do not touch the projection surface with your hands
  2. Do not write or draw on the projection surface
  3. Do not use fingers or sharp objects to point on the projection surface; this will damage the screen material.
  4. Use a soft-damp cloth to clean the projection surface; do not use chemical cleaning agents or alcohol.
  5. Use clean water when dampening the cleaning cloth and do not rub against the material to clean it.
- ◆ After using the screen, disassemble it and store it in the carrying bag provided.
- ◆ To avoid damage and injury, the screen should only be operated by adults.

#### **Product Description**

**Design:** The aluminum frame is designed to be light weight and easily operated making it easy to carry, assemble and disassemble.

**Screen Fabric:** The screen fabric is attached to the rectangular frame and held in place by several pegs along the frame, which ensure an evenly stretched and flat surface. The CineWhite® UHD (front projection) and Wraith Veil (rear projection) screen materials are durable and can be folded many times without causing damage or distortion to the surface.

## Parts Diagram

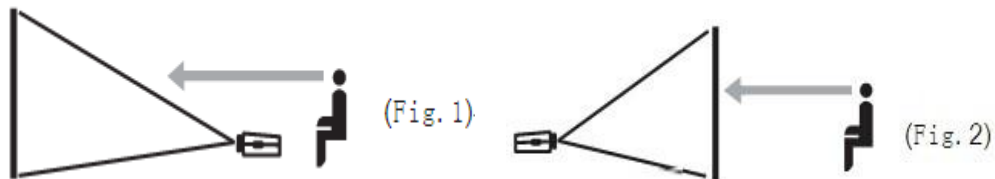
<p>A. Folding frame x1</p> 	<p>B. Left and right folding legs x2</p> 	<p>C. Center Support Leg x1 (180" models only)</p> 
<p>D. Projection screen material x2</p>  <p>CineWhite® UHD (front projection) Wraith Veil (rear projection)</p>	<p>E. Screen material bag x2</p> 	<p>F. Carrying Bag x1</p> 
<p>G. Rope with ring x4</p> 	<p>H. Stake x4</p> 	<p>I. Knob screw x10</p> 
<p>J. Short Center Support Leg x1 (180" models only)</p> 		

Note: The parts list above is subject to change without notice.

### Correct usage of the projection screen will ensure better viewing results.

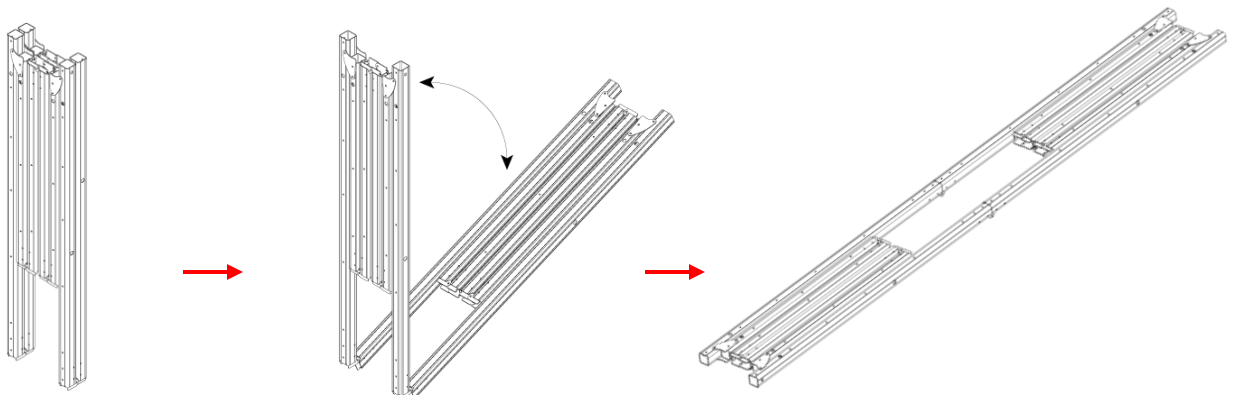
For front projection, assemble and view the screen as indicated in Fig.1.

For rear projection, assemble and view the screen as indicated in Fig.2.

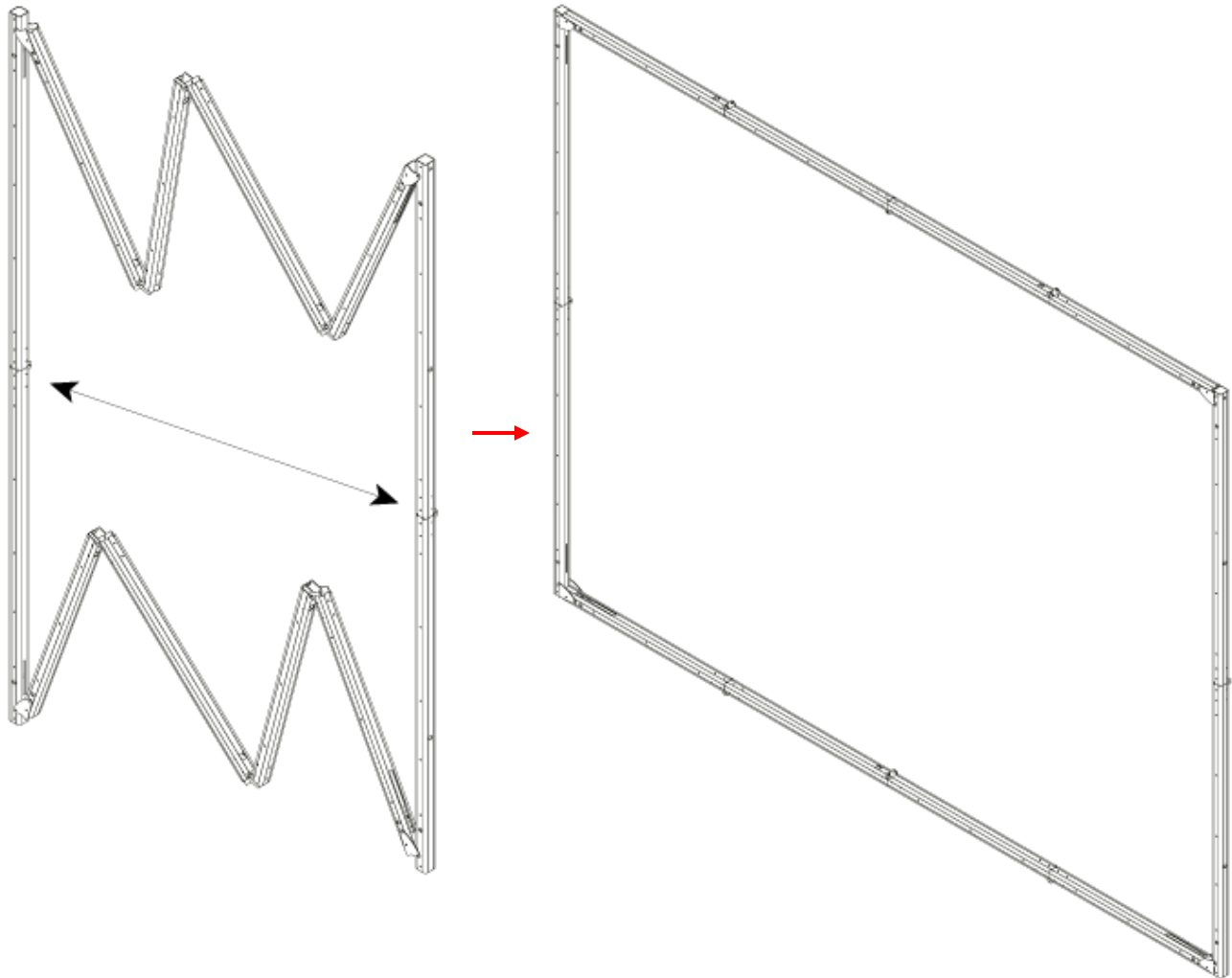


### Frame Assembly

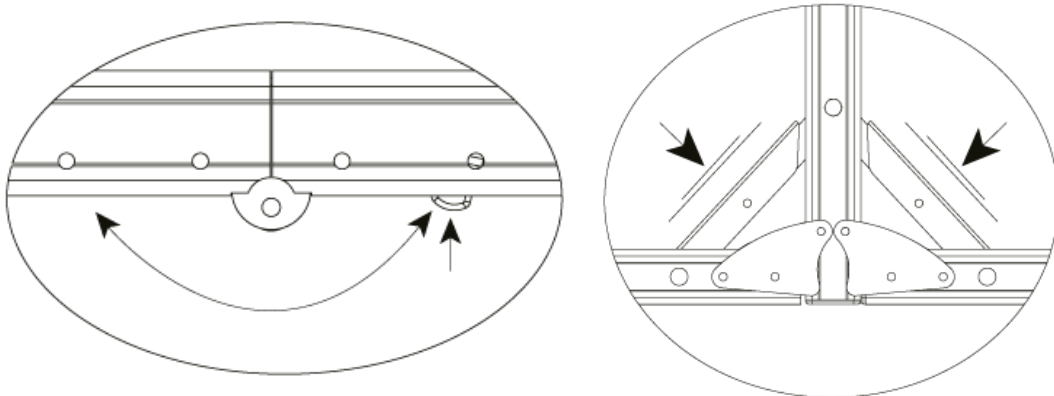
1. Take the *folding frame (A)* out of the *carrying bag (F)* and place it on a flat surface. Fully unfold the frame from the center, as shown below.



2. Next, unfold the horizontal sections by separating and pulling the left and right sides outwards.



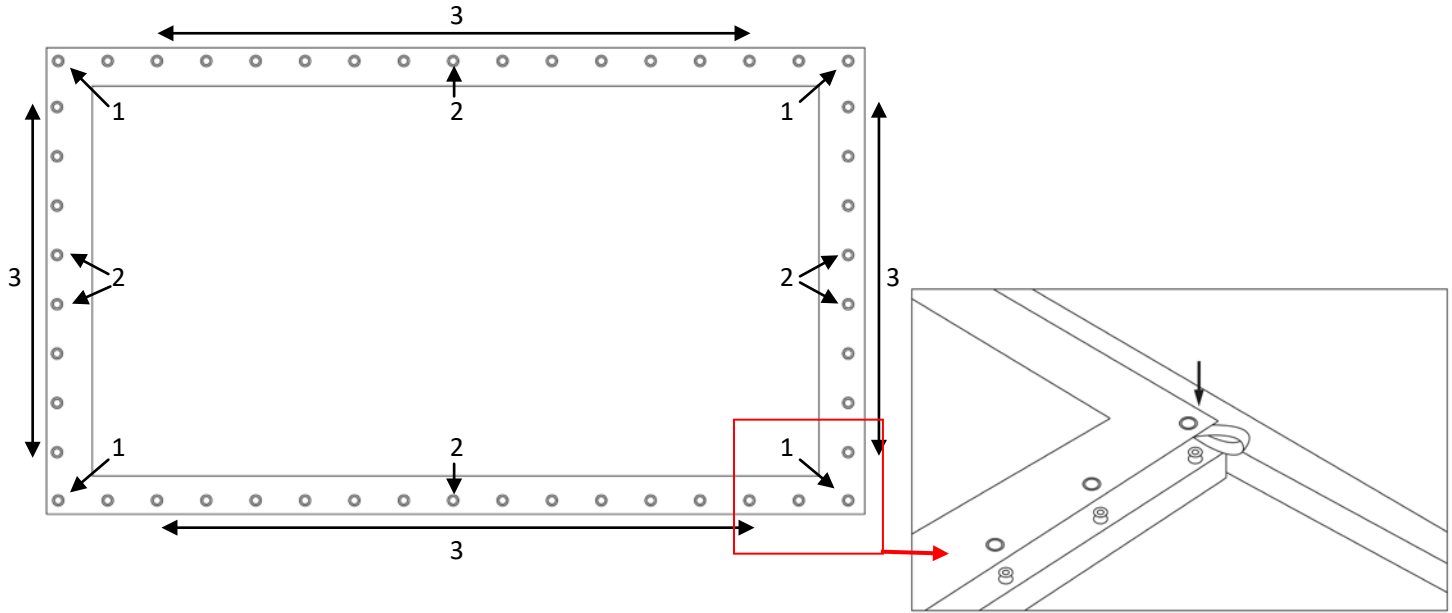
Note: When unfolding the frame and legs, be sure the latches on the hinges "click" into place. Please also make sure all 4 corners of the frame are at a 90° angle and the hinged support bar is straight and not bent.



### Screen Material Attachment

3. To attach the *screen material (D)*, first utilize the attached pull tabs at the corners to easily hook the

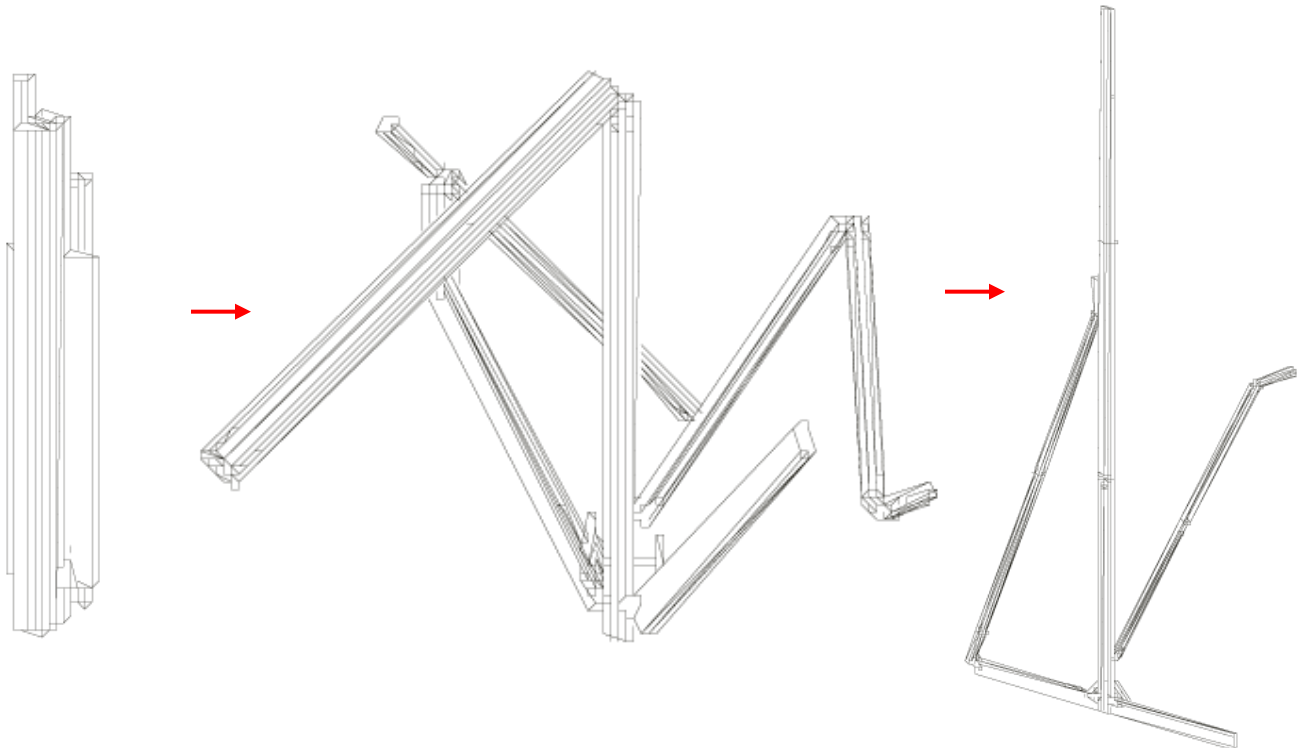
holes on the material to the pegs on frame (1). Next, attach the middle sections of sides (2). Then, follow with the rest of the sections (3). Please follow this order, shown in the diagram below. (1→2→3)



### Leg Attachment

4. Carefully take the left and right *folding legs (B)* out of the *carrying bag (F)* and place it on a flat surface. Unfold the left and right legs completely as shown.

**Warning:** The additional support sections, located at the middle section of the legs, may unfold on its own. Please be sure to use caution while removing/placing the legs from/to the bag



**This step is for 180" models only.**

7. Carefully take the *center support leg (C)* out of the *carrying bag (F)* and unfold it completely.

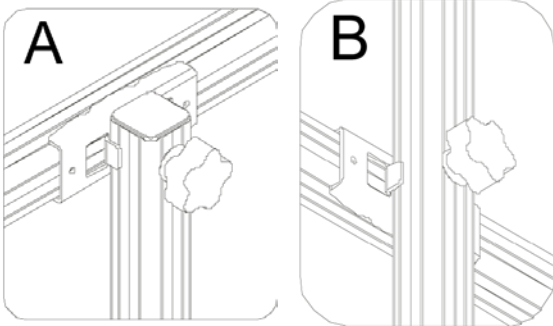


Note: If you are planning to use the *Wraith Veil rear projection material (D)*, attach the *short center support leg (J)* instead of the *center support leg (C)*.

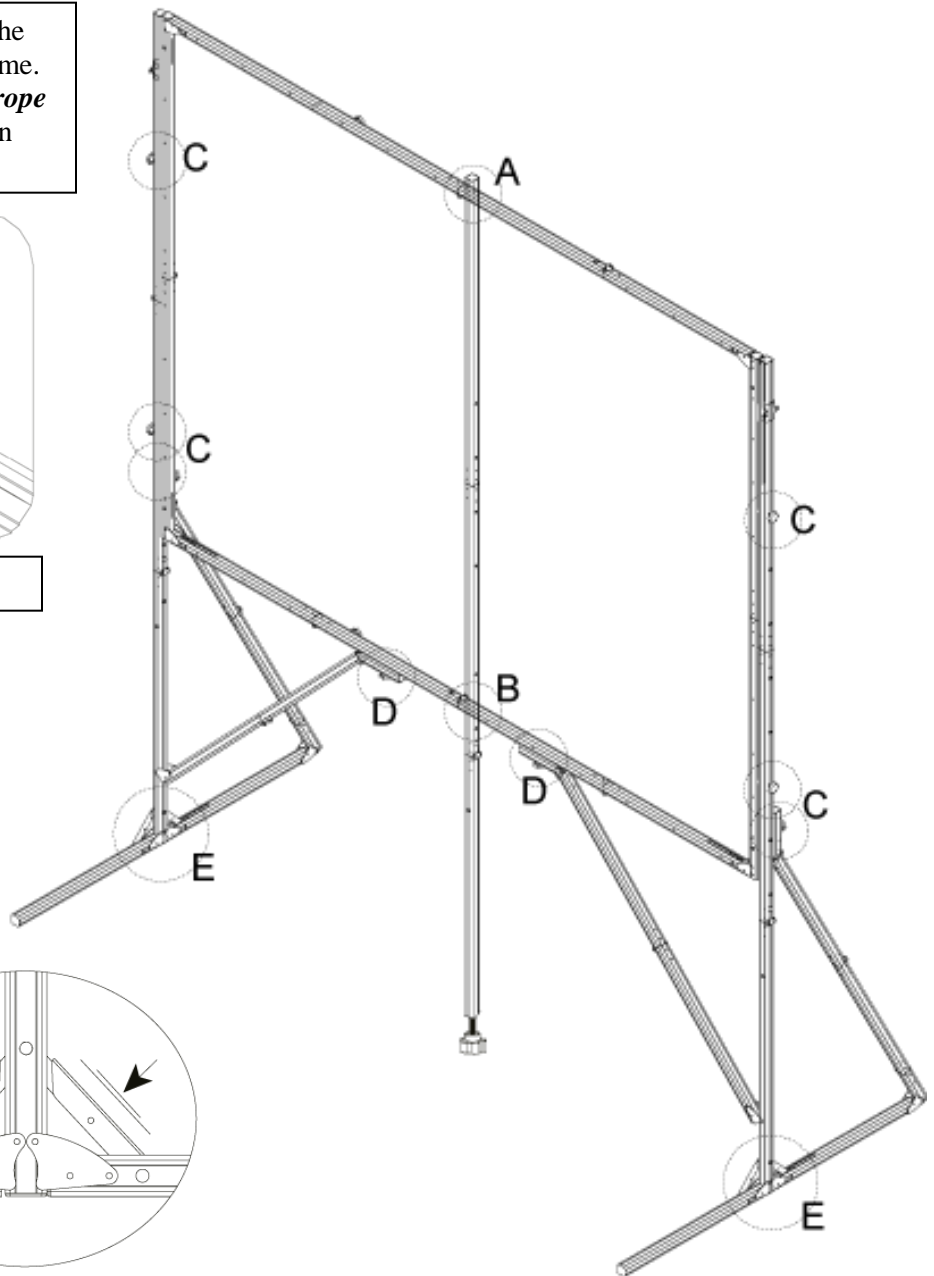
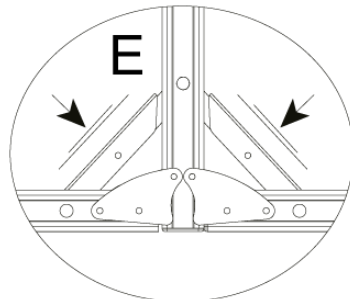
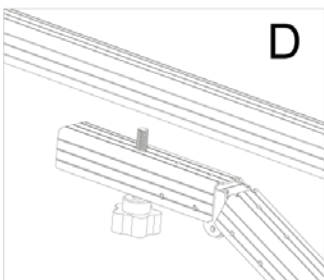
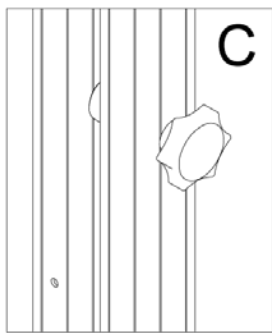


6. Line up the correlating screw holes on the frame and legs and fasten the *knob screws (I)* to all sections, **excluding** the back sections of the *folding legs (B)*. These are to be secure in later steps. See below.

**Note:** Be sure to place the legs in which the eye loops are facing outward from the frame. These eye loops will be utilized with the *rope with ring (G)* to help secure your screen in windy applications.

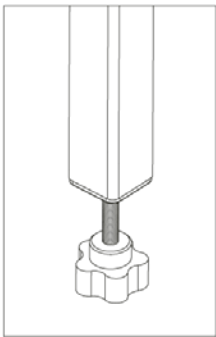
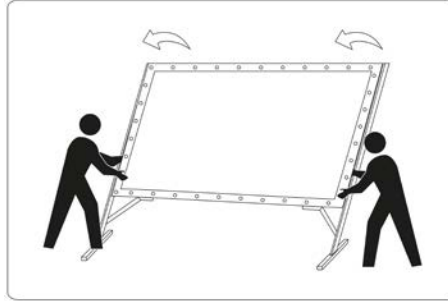


**Note:** A and B are for 180" models only.



9. Attach the **ropes and rings (G)** to each side of the legs at the top of the frame (1 at each eye and loop).

10. At least two people are needed for this step. Open the front side of each **folding leg (B)** and carefully lift the top of the frame to stand the screen. While keeping a hold on the screen, open the other side of each folding leg and fasten the last **knob screws (I)** on the back sections of the legs and frame.

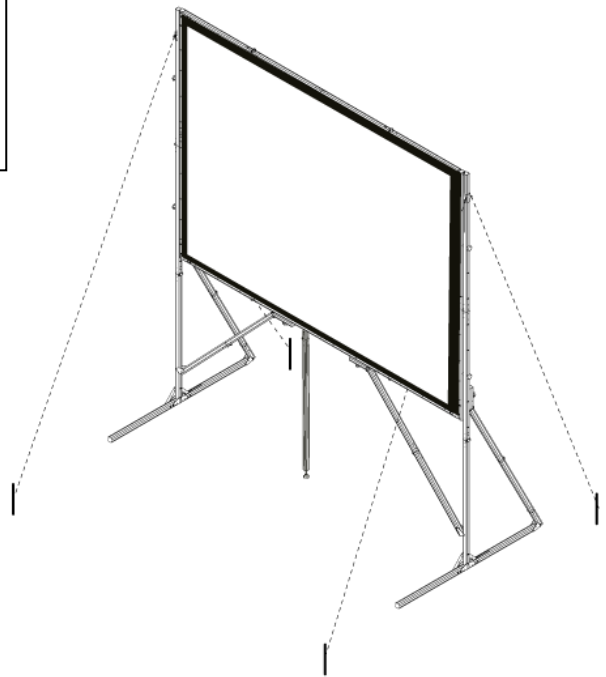


**Note for 180" models:**

To help level the screen, adjust the **center support leg (C) or (J)** by tightening or loosening the knob at the bottom of the

11. To secure the screen, hammer the **stakes (H)**, at your desired location, into the ground.

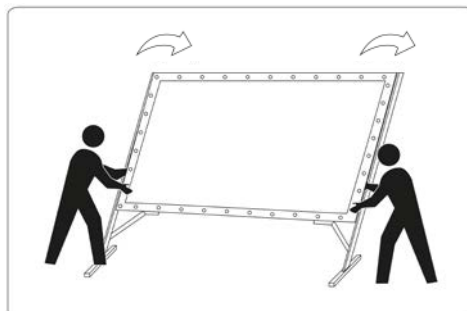
12. Finally, tie the 4 **ropes (G)** to the **stakes (H)** to prevent the screen from tilting or falling over. Your screen should look like figure shown (right).



### Screen Disassembly

1. Remove **ropes (G) and stakes (H)** from the ground.

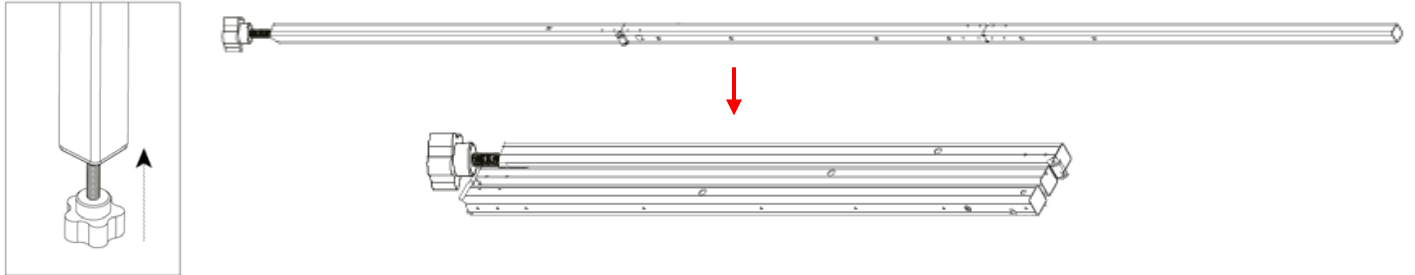
2. At least two people are needed for this step. Unscrew the **knob screws (I)** on the back sections of the legs and fold the hinges so that half of the legs are folded up. Slowly lower the screen to the ground (towards the closed legs).



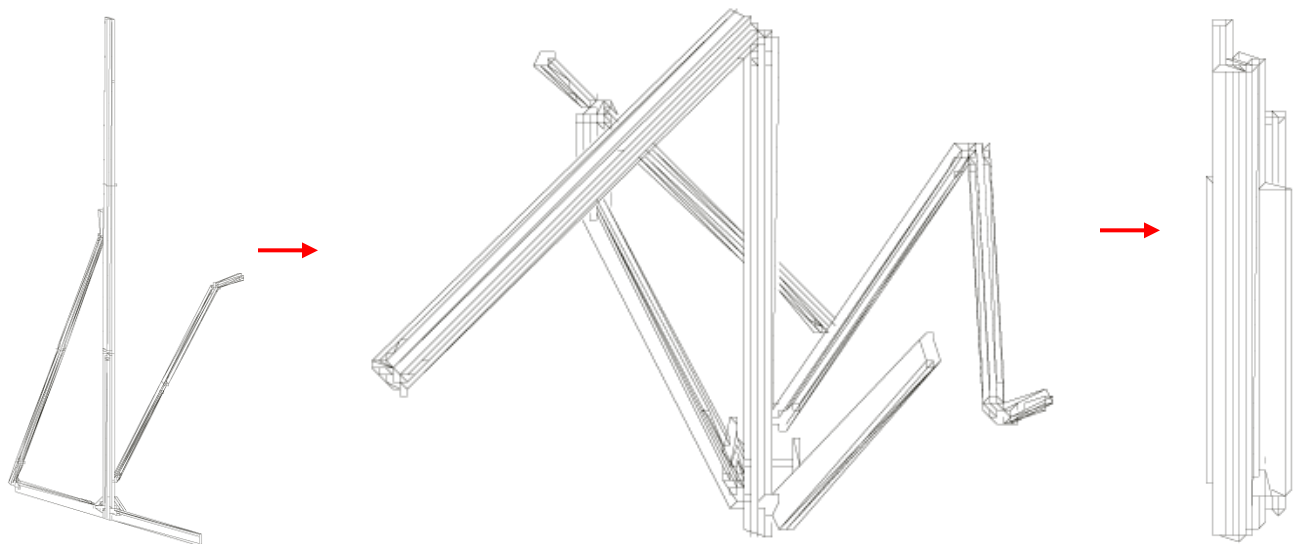
3. Unlatch the hinged support bars and fold down other half of the legs.
4. Loosen and remove the *ropes (G)* and *knob screws (I)* from each leg.

**This step is for 180" models only.**

5. Fully tighten the knob at the bottom of the *center support leg (B)*. Remove the leg, fold and place it inside the *carrying bag (F)* provided.



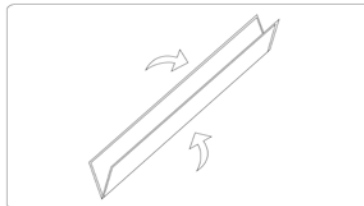
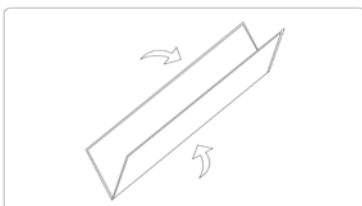
6. Remove the *folding legs (B)*. Fold and place them inside the *carrying bag (F)* provided.



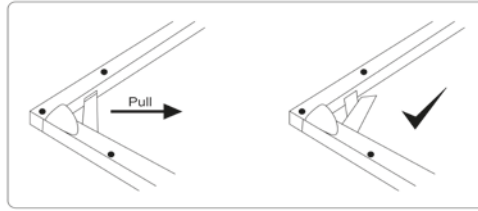
7. Detach the *screen material (D)* from the *folding frame (A)* by carefully pulling and lifting the edges to unhook the material from the pegs.

8. Fold *screen material (D)* in half, folding the bottom of the screen towards the top. Then, fold in half again in the same way. Lastly, fold the material into thirds to condense the length and place it into the *screen material bag (E)*.

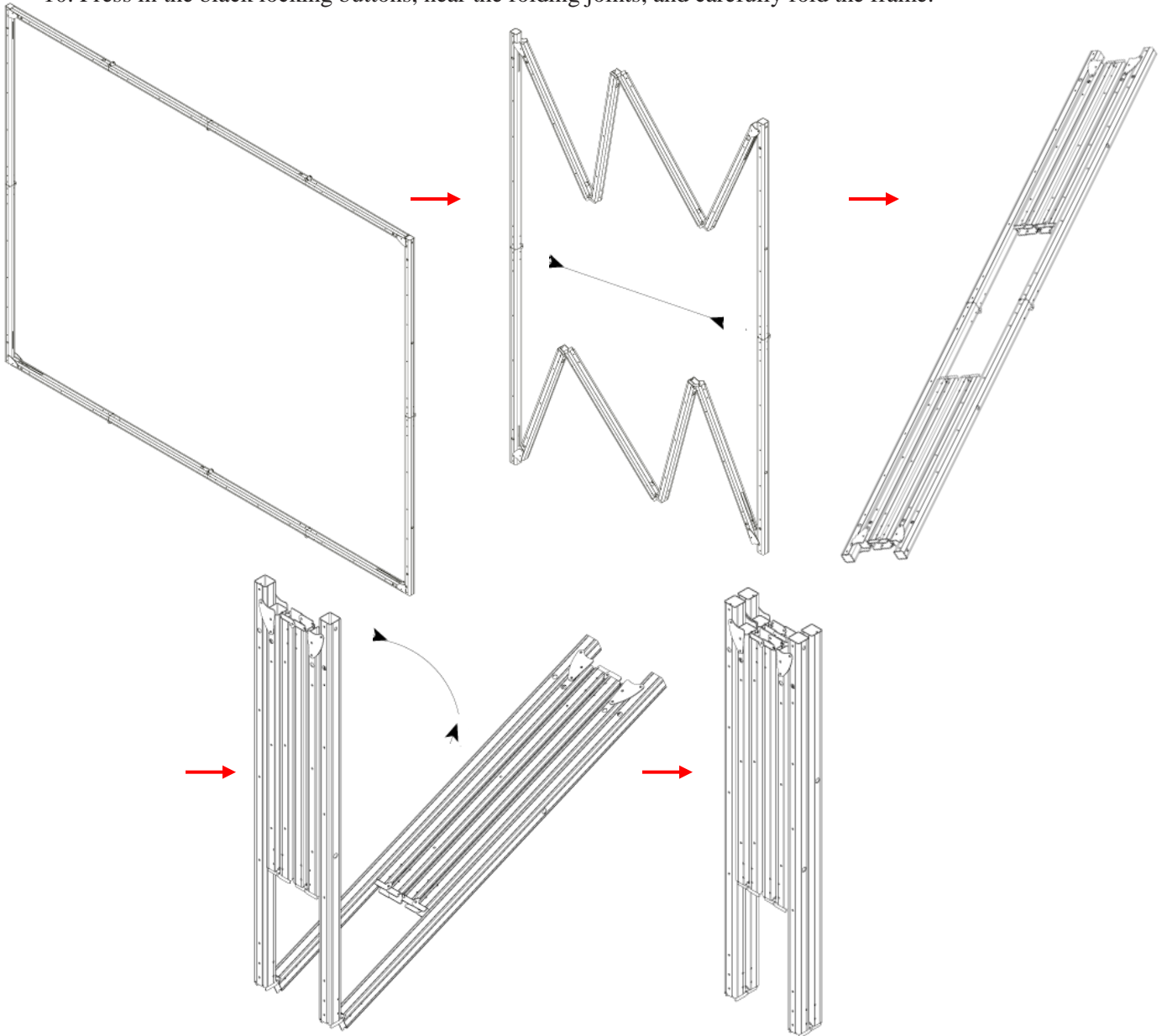
\*If you prefer to roll the material, instead of folding into thirds, roll from one end to the other after folding in half twice.



9. Unlatch the hinged support bars in each corner of the *folding frame (A)*.



10. Press in the black locking buttons, near the folding joints, and carefully fold the frame.



11. Store the screen in the provided *carrying bag (F)*. Be sure to place folding frame, legs, and smaller parts into the carrying bag first and place the material on top to keep material from creasing or tearing.

For more information, technical support or your local EliteProAV™ contact, please visit [www.eliteproav.com](http://www.eliteproav.com)